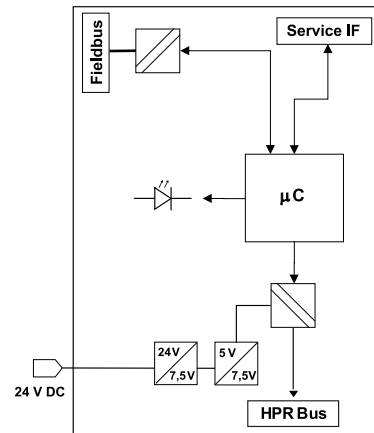


HE 5813

HIMOD field bus coupler Modbus RTU

Central coupling module for Modbus RTU networks



The field bus coupler HE 5813 links the modular process I/O HIMOD system with a Modbus RTU network. The connection to the Modbus RTU is established with a 9-pin D-SUB socket. Up to 62 I/O modules can be connected per bus coupler. The connection of the modules takes place over an internal bus system. Up to 16 modules can be operated directly on the bus coupler, in addition the system can be expanded with an additional power module. In the bus coupler the areas of power supply voltage, field

bus and logics are isolated galvanically from each other. The system configuration from bus coupler and I/O modules can be determined quickly by means of the buttons integrated in the front of the casing. Configuration and parameter-setting of the individual modules can be carried out both via the field bus as well as over the SmartPort interface.

Current versions of the associated software SmartControl as well as other information can be found at www.hesch.de

TECHNICAL DATA	
Power supply	24 V DC (-20 % / +25 %), protected against reverse polarity and overvoltage
Current / power consumption	Max. 170 mA / 4 W own requirements
Power supply for I/O modules	24 V DC (max. 4 A) and 7.5 V DC (max. 2 A), short-circuit-proof
Number of I/O modules that can be coupled	1...16 or 1...62 with additional power modules
Electrical isolation	500 V _{eff} [internal (supply / field bus / logics) / external]
Connections / interfaces:	
Modbus	1 x D-SUB socket, 9-pin
Service / SmartPort	1 x RJ10, front
HPR-bus	1 x T-bus connector
Supply 24 V DC	1 x screw terminal block
Modbus RTU:	
Bus connection according to IEC 61158 (RS-485), RTU protocol	
Baud rate 2.4...115.2 kbaud, can be set via BCD switch	
Address range: 1...99, can be set via BCD switch	
Address range: 1...247, can be set with software, if BCD switch = 0	
Control elements:	
Baud rate / addresses	3 x BCD rotary coded switch
Node configuration	1 x button "Config", at the front
Diagnostic display:	
5 status-LEDs	1 x device status, 4 x bus status
Wiring technique	Screw / plug terminals, conductor cross-section 0.2...2.5 mm ²
Weight	150 g

ORDERING DATA	ORDER NUMBER	PU
HE 5813, Modbus RTU, CE	58135000	1

ACCESSORIES	ORDER NUMBER	PU
SmartControl configuration environment	58510000	1
USB connection cord	58513000	1
Screw plug terminal	133332	10
Spring clamp terminal	133331	10
T-bus connector	38100150	10

APPROVAL	
Conformity marking	CE

Technical alterations reserved