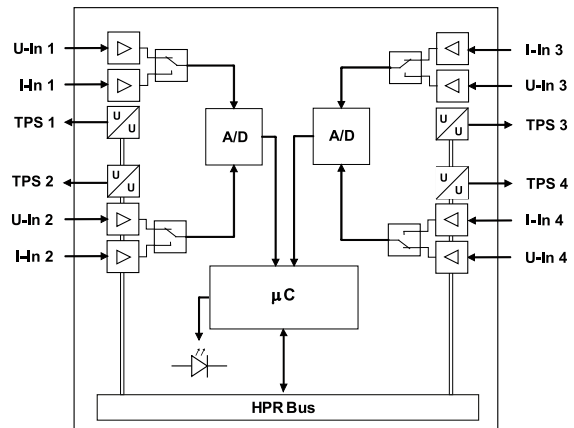


# HE 5830

## HIMOD analogue input module 4 x AI

4 x A-IN standard signal (U/I)



The analogue input module HE 5830 acquires up to four standard analogue signals (current or voltage) from the process level and transmits these to the higher-level bus system. The communication with the bus coupler takes place over an asynchronous serial RS485 connection. The module is especially suitable for the acquisition of the signals from 2-wire transmitters with 4...20 mA, 3-wire transmitters with 0...10 V and potentiometric sensors. Per channel there is a pick-up supply available of 10 or 24 V with a current

of 10 mA or maximum 25 mA. In the event of service, the module can be exchanged quickly and without complications in running operation (Hot Swap). The signal status of the inputs is indicated via status-LEDs. In the event of error the modules operate with previously predefined error values, in order to ensure safe process control (Fail Safe).

Current versions of the associated software SmartControl as well as other information can be found at [www.hesch.de](http://www.hesch.de)

TECHNICAL DATA	
Power supply	Over internal T-bus: 24 V DC / 7.5 V DC
Current consumption	Max. 160 mA at 24 V / max. 60 mA at 7.5 V
Electrical isolation	None
Voltage input:	
Value range	-10...+10 V / -5...+5 V / -1...+1 V
Input impedance	$R > 1 \text{ M}\Omega$
Current input:	
Value range	-20...+20 mA
Input impedance	Load $< 50 \Omega$
Converter resolution / conversion time	16 bit / 160 ms
Characteristic deviation	$\leq 0.1 \%$
Temperature influence	$\leq 0.1 \%$
Power supply for sensors	10 mA at 10 V or 25 mA at 24 V, short-circuit-proof
Diagnostic display:	
8 x yellow LEDs	Status of the inputs
1 x 2-colour LED	Module status
Wiring technique	Screw / plug terminals, conductor cross-section 0.2...2.5 mm <sup>2</sup> Spring clamp / plug terminals, conductor cross-section 0.2...2.5 mm <sup>2</sup>
Weight	150 g

ORDERING DATA	ORDER NUMBER	PU
HE 5830, CE, screw terminal	58300000	1
HE 5830, CE, spring clamp terminal	58303000	1

ACCESSORIES	ORDER NUMBER	PU
Screw plug terminal	133332	10
Spring clamp terminal	133331	10
T-bus connector	38100150	10

APPROVAL	
Conformity marking	CE

Technical alterations reserved