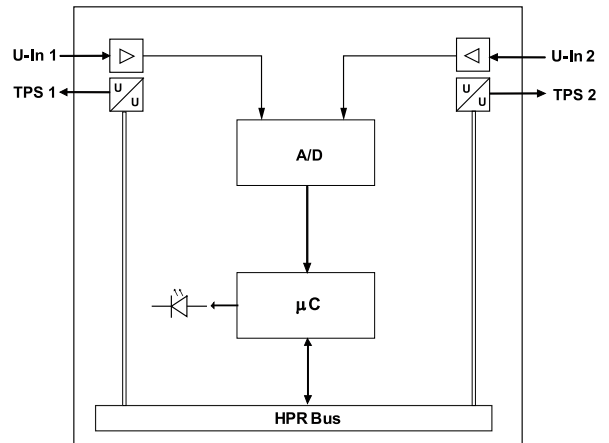


HE 5831

HIMOD analogue input module 2 x potentiometers
2 x A-IN potentiometric transmitters



The analogue input module HE 5831 acquires up to two analogue signals from path-, angle- and position sensors and transmits these to the higher-level bus system. The communication with the bus coupler takes place over an asynchronous serial RS485 connection. A short-circuit-proof voltage is provided for the supply of the potentiometric transmitter. Every input has variable MIN- and MAX values, with which an alarm message is reported to the controller managing the process. The module is powered

over the T-bus connector from the bus coupler or from a power module. In the event of service, the module can be exchanged quickly and without complications during running operation (Hot Swap). In the event of error, the modules operate with previously defined error values, to ensure safe process control.

Current versions of the associated software SmartControl as well as other information can be found at www.hesch.de

TECHNICAL DATA	
Power supply	Over internal T-bus: 24 V DC / 7.5 V DC
Current consumption	Max. 50 mA at 24 V / max. 50 mA at 7.5 V
Electrical isolation	None
Voltage input:	
Value range	0...10 V
Input impedance	$R > 1 \text{ M}\Omega$
Converter resolution / conversion time	10 bit / 160 ms
Characteristic deviation	$\leq 0.5 \%$
Temperature influence	$\leq 0.1 \%$
Power supply for sensors	10 mA at 10 V, short-circuit-proof
Diagnostic display:	
4 x yellow LEDs	2 x input status per channel (min./max. value)
1 x 2-colour LED	Module status
Wiring technique	Screw / plug terminals, conductor cross-section 0.2...2.5 mm ² Spring clamp / plug terminals, conductor cross-section 0.2...2.5 mm ²
Weight	150 g

Technical alterations reserved

ORDERING DATA	ORDER NUMBER	PU
HE 5831, CE, 10 Bit, screw terminal	58310000	1
HE 5831, CE, 10 Bit, spring clamp terminal	58313000	1

ACCESSORIES	ORDER NUMBER	PU
Screw plug terminal	133332	10
Spring clamp terminal	133331	10
T-bus connector	38100150	10

APPROVAL	
Conformity marking	CE